

Reliability in Action

# L918F Wheel Loader



# L918F Wheel Loader



## Standard Features

- 1 Quiet operator cab with A/C, AM/FM and USB radio, ROPS/FOPS approved with excellent 360° visibility
- 2 General purpose skid steer bucket with reversible bolt on edge.
- 3 Powershift Transmission
- 4 Skid steer coupler with in-cab switch for coupler pin actuation.
- 5 Joystick with integrated directional control switch and separate third function lever for fully powered third function hydraulics
- 6 Deutz TCD3.6 L4 Tier 4f certified engine with DVERT emission technology eliminates requirements for DEF fluid and DPF filter.
- 7 SDLG conventional axles with air-cooled, dry-disc brakes
- 8 12 month / 2,000 hour warranty with extended coverages available

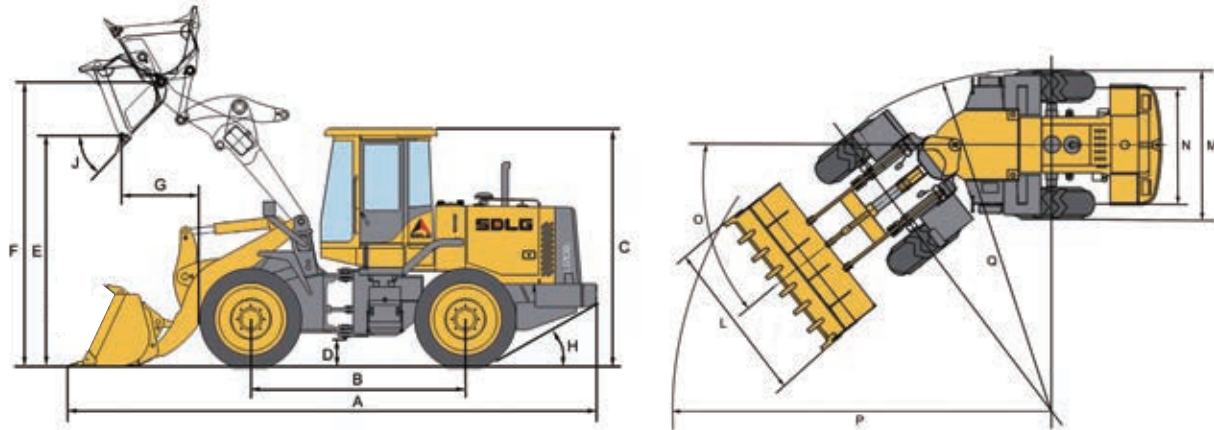
## Optional Features

2.0 yd light material bucket for skid steer coupler

Boom suspension

Specifications are subject to change without prior notice from SDLG North America in line with the continuous improvement program from SDLG

## Main performance and parts specifications



Item					
Dimensions	A- Length (with bucket @ ground lvl)	ft in	mm	19' 2"	5,850
	B- Wheelbase	ft in	mm	7' 5"	2,260
	C- Height	ft in	mm	9' 7"	2,920
	D- Ground Clearance	ft in	mm	11"	290
	E- Max Dump Height (J at 45°)	ft in	mm	8' 0"	2,420
	F- Hinge Pin Height	ft in	mm	10' 5"	3,165
	G- Max Dump Reach (Jat 45°)	ft in	mm	3' 8"	1,125
	H- Max Climbing Angle	°		28	
	L- Bucket width	in	mm	84	2,140
	M- Width over Tires	ft in	mm	7' 0"	2,140
	N- Tire Tracking Width	ft in	mm	5' 4"	1,630
	O- Steering Angle	°		35.0	
	P- Turn Radius, Out. Bucket	ft in	mm	17' 6"	5,340
	Q- Turning Radius, Rear Tire	ft in	mm	15' 8"	4,770
Specifications	SSL Bucket Capacity (Std Config)	yd <sup>3</sup>	m <sup>3</sup>	1	.08
	ISO/GP Bucket Capacity (Opt Config)	yd <sup>3</sup>	m <sup>3</sup>	1.3	1.0
	Operating Weight	lbs	kg	14,990	6,800
	Straight Tipping Load	lbs	kg	9,260	4,200
	Full Turn Tipping Load	lbs	kg	7,940	3,600
	Rated Load	lb <sub>t</sub>	kN	4,000	1,800
	Max Breakout Force	lb <sub>t</sub>	kN	8,543	38
Engine	Model	Deutz TCD3.6 L4 (Tier 4f)			
	Type	4-Stroke, turbocharged, water-cooled, high-pressure common rail fuel injection system			
	Emission Control System	Cooled Exhaust Gas Recirculation. DVERT oxidation catalyst			
	Max Gross Power @ 2,300 rpm	hp	kW	74	55
	Max Net Power @ 2,300 rpm	hp	kW	67	50
	Max Torque @ 1,300 rpm	lb <sub>t</sub> ft	Nm	288	390
	Cylinders	4.0			
Displacement	in <sup>3</sup>	L	221	3.6	

Item					
Transmission	Transmission: Shantui		Hydrodynamic, countershaft fixed axis design, electrohydraulic shifting		
	Gears	2 Forward, 2 Reverse			
	Speed	1st gear (F / R)	mph	km/h	6.0, 10.0
2nd gear (F / R)		mph	km/h	15.0, 24.5	14.6, 23.5
Hydraulic System	Type	Hydraulic Pilot Control			
	Total Cycle Time, Empty	sec	≤ 8.1		
Brake System	Service Brake	Hydraulic, Dry-Disc, Air Cooled			
	Parking Brake	Mechanically Operated, Hyd. Release			
Steering System	Type	Load sensing, fully hydraulic articulated steering			
	Steering Pressure, Working	PSI	Mpa	1,740	12
Fill Capacity	Fuel Tank	gal	L	32.0	120
	Hydraulic Oil Tank	gal	L	27.0	102
	Engine Oil	gal	L	2.6	10.0
	Engine Coolant	gal	L	5.3	20.0
	Main Drive, Front / Rear Axle	gal	L	2 x 1.32	2 x 5
Electrical System	Transmission Gearbox	gal	L	5.3	20
	Batteries	V	2 X 12		
	Cold Cranking Amps	CCA	535.0		
	Alternator Rating	W	A	2,240	80



[www.sdlgna.com](http://www.sdlgna.com)

Or call us directly at:  
(844) TRY-SDLG  
(844) 879-7354

