

Reliability in Action

LG938L



LG938L Wheel Loader



LG938L Standard Features

- Deutz 6.1 liter, tier 4i-certified engine with reversible cooling fan
- ZF 4WG158 powershift transmission
- SDLG dry disc brakes on all 4 wheels
- Air conditioned operator cab with AM/FM radio and USB interface
- Cab is ROPS / FOPS - ISO EN 3449, ISO EN 3471, ISO EN 3164
- Single lever control with separate third function
- Hydraulic quick coupler - ISO Interface - in cab actuation switch
- Full powered third function hydraulics
- General purpose bucket - 2.4 yd³ (1.8 m³) with bolt-on edge
- 12 Month/1500 hour warranty (conditions apply)

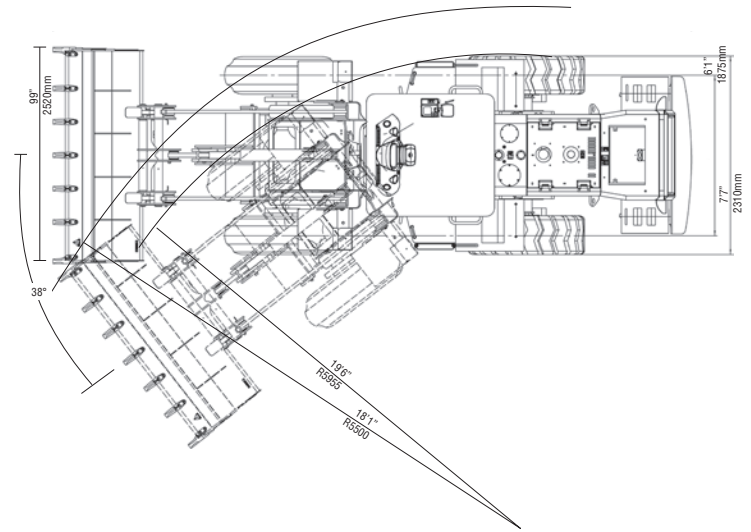
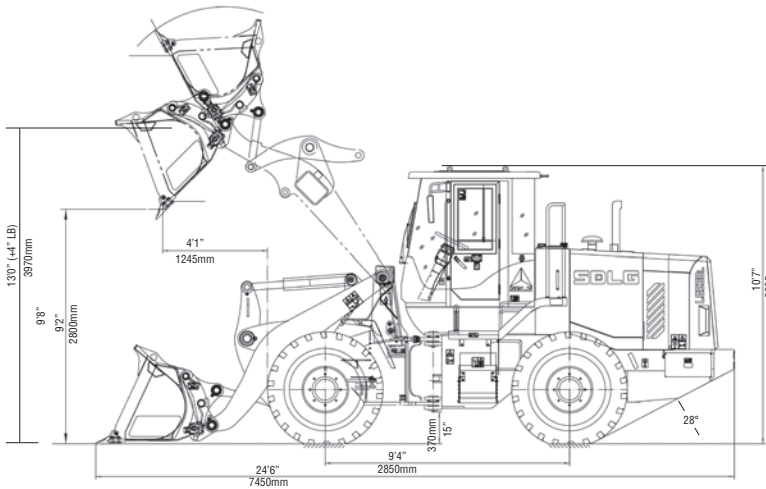
Optional Equipment

- Long boom (+11" (273 mm) in dump height, no reach increase)
- Boom suspension system
- 17.5R25 L3 tubeless tires (radial)
- Light material bucket - 3.3 yd³ (2.5 m³) with bolt on edge
- Quick attach fork lift frame with 49" (1245 mm) fork tines

Specifications Brief		
Max Power, 2200 rpm	160 hp	120 kW
Max Torque, 1450 rpm	530 lbf-ft	720 Nm
Bucket Capacity	2.4 yd ³	1.8 m ³
Rated Load	6,000 lbs	2,720 kg
Full Turn Tipping Load	14,860 lbs	6,740 kg
Breakout Force	16,410 lbf	73.0 kN
Rimpull	20,345 lbf	90.5 kN
Operating Weight	23,150 lbs	10,500 kg

Rated load with standard bucket & arm with hydraulic quick coupler

Specifications are subject to change without prior notice from SDLG North America in line with the continuous improvement program from SDLG



Engine		
Model	Deutz TCD6.1L6 Tier 4i	
Type	6 cyl., 4-Stroke, turbocharged, water-cooled, high-pressure common rail fuel injection system	
Max Gross Power, 2200 rpm	160 hp	120 kW
Max Net Power, 2200 rpm	142 hp	106 kW
Max Torque, 1450 rpm	530 lbf-ft	720 Nm
Displacement	372 in ³	6.1 l

Steering System		
Type	Load sensing, fully hydraulic articulated steering	
Steering Pump	Gear Driven Hydraulic Pump	
Steering Pressure	2031 PSI	14.0 MPa
Steering Flow	53.0 gpm	202.0 lpm
Steering Cylinders: Cylinder Bore x Piston Rod Diameter x Stroke	Double Acting 80 x 40 x 327 mm 3.1" x 1.8" x 12.9"	

Drivetrain				
Travel Speed	Type	Countershaft		
		Forward	Reverse	
	1st	4.3 mph, 7.0 kph		
	2nd	7.1 mph, 11.5 kph		
	3rd	14.1 mph, 22.7 kph		
Torque Converter	4th	22.6 mph, 36.4 kph		
	Type	3 Elements, Single Phase, Single Turbine, Hydraulic Converter		
	Torque Multiplication	2.9		
	Oil Inlet Pressure	123 PSI	0.85 MPa	
Transmission: ZF 4WG158	Oil Outlet Pressure	73 PSI	0.5 MPa	
	Type	Electric Over Hydraulic Powershift		
	Pump	Internal Gear Pump		
	Transmission Ratio	Working Pressure	232 ~ 261 PSI	1.6 ~ 1.8 PSI
		Forward, 1st	3.996	
		Forward, 2nd	2.368	
		Forward, 3rd	1.126	
		Forward, 4th	0.626	
		Reverse, 1st	3.996	
	Reverse, 2nd	2.368		
Reverse, 3rd	1.126			
Axles	Main Drive	Type	Single-Stage, Spiral Bevel	
		Reduction Gear Ratio	6.167	
	Final Drive	Type	Single-Stage, Planetary	
		Reduction Gear Ratio	3.12	
Tires	Type	17.5-25 16-Ply Tubeless		
	Tire Pressure	Front	49.0 PSI, 0.34 MPa	
		Rear	41.0 PSI, 0.28 MPa	
Brakes	Service Brake	Hydraulically actuated, dry disc brakes on all 4 wheels		
	Parking Brake	Mechanically Operated, Hydraulic Release		
	Brake Oil Pressure	1500 PSI	10.3 MPa	

Hydraulic System		
Type	Single Lever Control with Separate Third Function	
Main System Pump	Gear Driven Hydraulic Pump	
System Pressure	2031 PSI	16.0 MPa
System Flow	66.0 gpm	250.0 lpm
Boom Cylinder: Cylinder Bore X Piston Rod Diameter X Stroke	Double Acting 125 x 70 x 771 mm 4.9" x 2.8" x 30.3"	
Bucket Cylinder: Cylinder Bore x Piston Rod Diameter x Stroke	Double Acting 140 x 80 x 502 mm 5.5" x 3.1" x 19.7"	
Lift Time, Loaded	≤5.6 s	
Dump Time, Empty	≤0.89 s	
Lower Time, Empty	≤3.85 s	
Total Time	≤10.34 s	

Electrical System		
Voltage	24.0 V	
Batteries	2 X 12 V	
Battery Capacity	120.0 Ah	
Cold Cranking Amps	850.0 CCA	
Alternator Rating	2400 W, 100 A	
Starter Motor Output	4.0 kW	

Service		
Fuel Tank	37.0 gal	140.0 l
Hydraulic Oil Tank	33.8 gal	128.0 l
Engine Oil	4.0 gal	15.0 l
Engine Coolant	7.9 gal	30.0 l
Main Drive, Axle	4.8 gal	18.0 l
Final Drive, Axle	4.8 gal	18.0 l
Transmission	9.2 gal	35.0 l



www.sdlgna.com